

# SECO DC 0063-0100 B/C

Dry-running rotary vane vacuum pumps/compressors



VACUUM SOLUTIONS



## Compact

Direct-drive construction, including vacuum and pressure regulation valves

## Reliable

Robust construction, proven performance, self-lubricating vanes, no operating fluids, specially designed for the printing industry

## High performance

High performance vanes, extended lifetime, extremely resistant to wear and humidity

Accessories

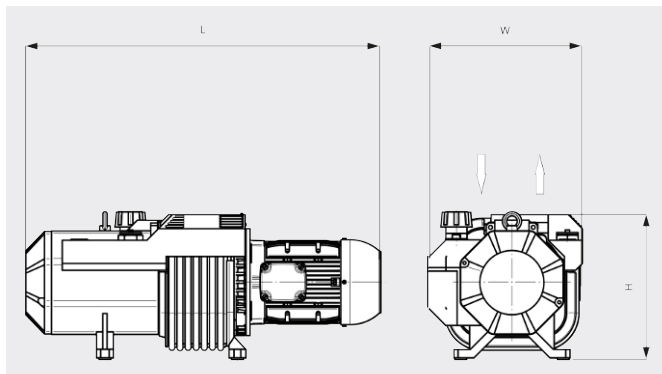
- Inlet filter
- Hose nipple

# SECO DC 0063-0100 B/C

Dry-running rotary vane vacuum pumps/compressors

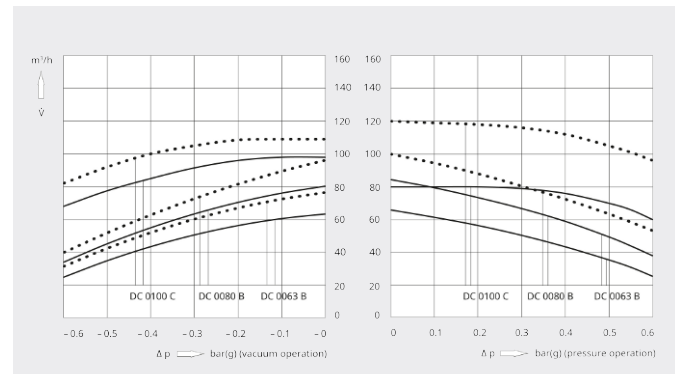


Dimensional drawing



Pumping speed / Volume flow  
Air at 20°C. Tolerance: ± 10%

— 50 Hz ..... 60 Hz



	SECO DC 0063 B	SECO DC 0080 B	SECO DC 0100 C
<b>Pumping speed / Volume flow</b>	55 / 65 m³/h (50 / 60 Hz)	80 / 96 m³/h (50 / 60 Hz)	98 / 109 m³/h (50 / 60 Hz)
<b>Vacuum</b>	-0.6 bar(g) (50 / 60 Hz)	-0.6 bar(g) (50 / 60 Hz)	-0.6 bar(g) (50 / 60 Hz)
<b>Overpressure</b>	+0.6 bar(g) (50 / 60 Hz)	+0.6 bar(g) (50 / 60 Hz)	+0.6 bar(g) (50 / 60 Hz)
<b>Nominal motor rating</b>	2.2 / 3.4 kW (50 / 60 Hz)	3.0 / 4.2 kW (50 / 60 Hz)	4.0 / 5.5 kW (50 / 60 Hz)
<b>Nominal motor speed</b>	1500 / 1800 min <sup>-1</sup> (50 / 60 Hz)	1500 / 1800 min <sup>-1</sup> (50 / 60 Hz)	1500 / 1800 min <sup>-1</sup> (50 / 60 Hz)
<b>Noise level (ISO 2151)</b>	75 / 76 dB(A) (50 / 60 Hz)	76 / 77 dB(A) (50 / 60 Hz)	77 / 78 dB(A) (50 / 60 Hz)
<b>Blast air temperature</b>	48 °C	52 °C	62 °C
<b>Weight approx.</b>	83 kg	93 kg	130 kg
<b>Dimensions (L x W x H)</b>	746 x 440 x 335 mm	766 x 440 x 335 mm	849 x 375 x 346 mm
<b>Gas inlet / outlet</b>	G 1¼" / G 1¼"	G 1¼" / G 1¼"	G 1¼" / G 1¼"

## DO YOU WANT TO KNOW MORE?

Get in touch with us directly!  
sales@busch.co.uk or +44 (0)1952 67 74 32



CONTACT FORM



CALL NOW